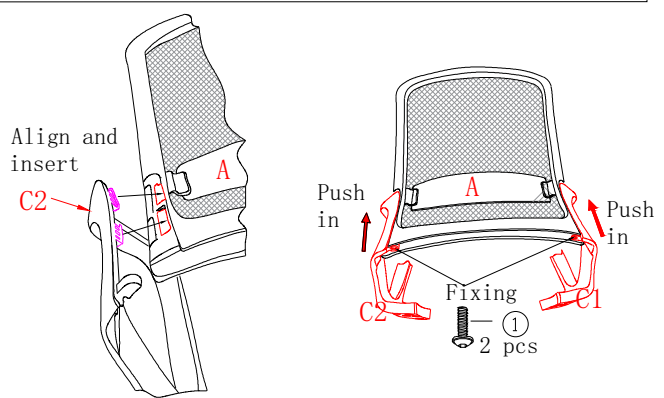
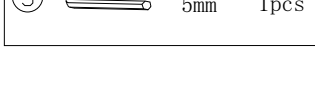
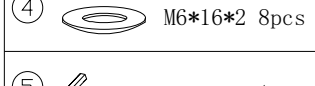
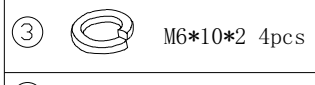
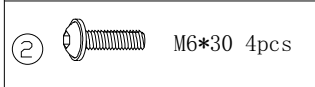
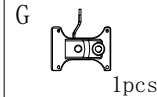
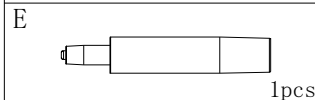
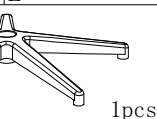
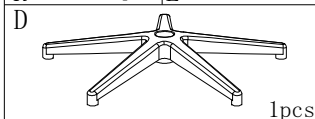
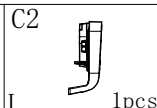
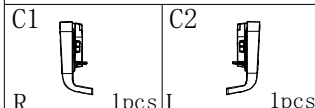
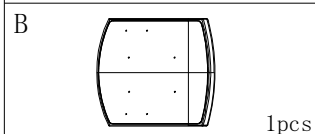
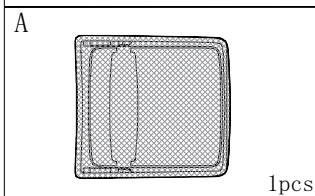


Pixel Chair

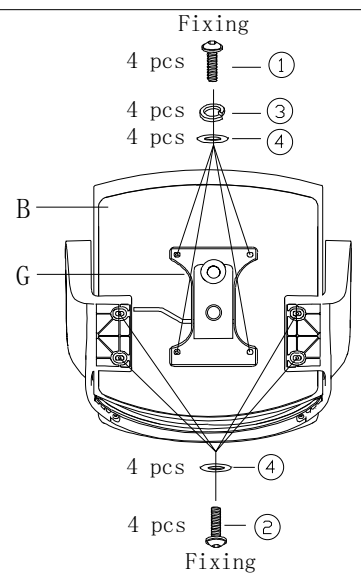
REV

A

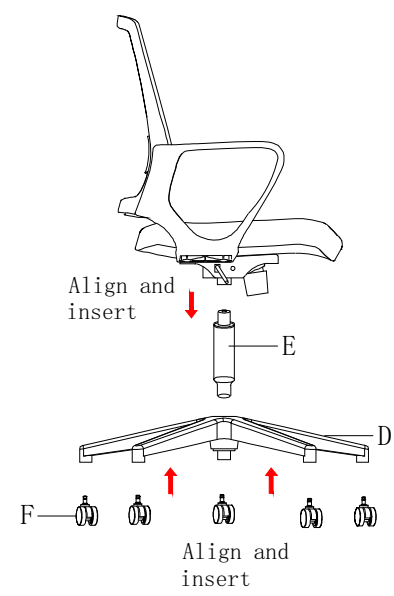


- (1) Align and insert;
- (2) Push in;
- (3) Fixing.

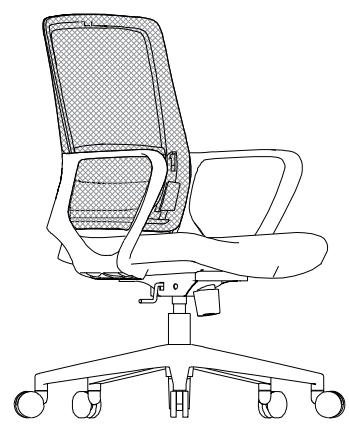
STEP 1



STEP 2



STEP 3



STEP 4