



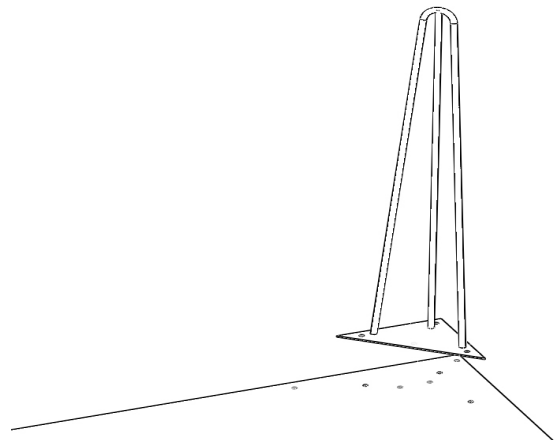
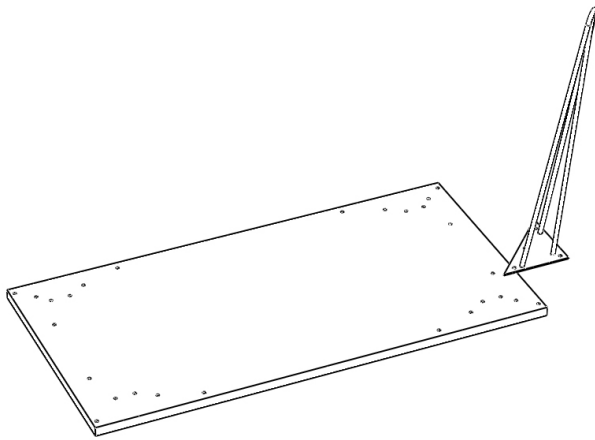
LOOP COFFEE TABLE

ASSEMBLY GUIDE

Remove product from packaging. Lay top face down on a clean surface. Align the holes in the leg's mount plate to the holes in the work top.

Note the top could be supplied with more fastening points than required for your specific coffee table design.

You will find only the correct holes align.

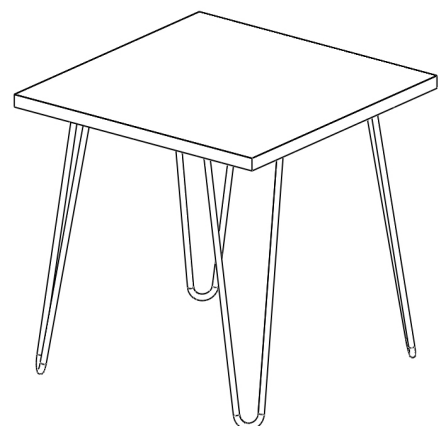
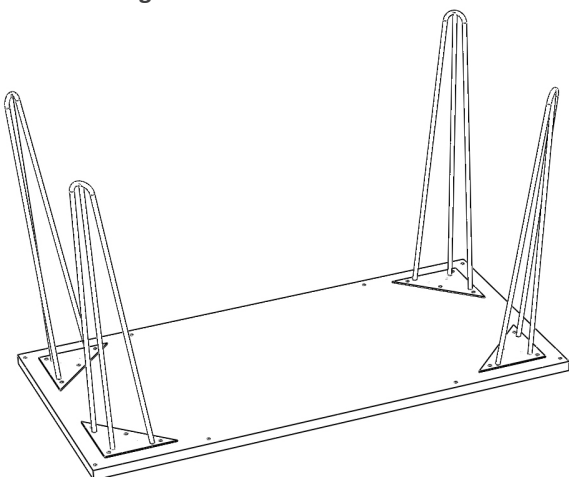


Attach all the legs securely to the work top. 3 Legs for a Round or Plectrum shape table, and 4 legs for a Square or Rectangular shaped table.

Turn the desk over onto its legs.

Please dispose of the packaging responsibly.

Do not over tighten the bolts.



All tools required to assemble the desk have been provided.