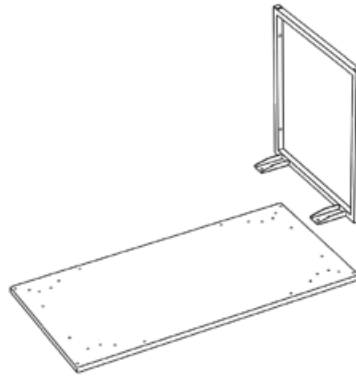


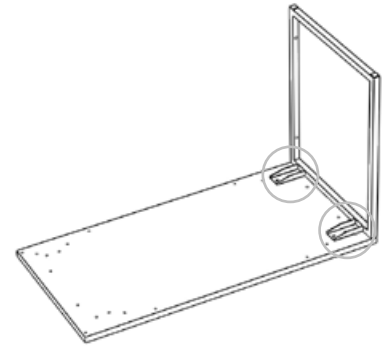


## STUDIO HOME DESK WITH WALL UNIT ASSEMBLY GUIDE



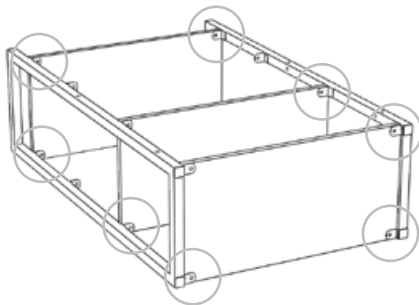
Remove product from packaging. Lay top face down on a clean surface.

**The work top has more fastening points than required for your desk design.**



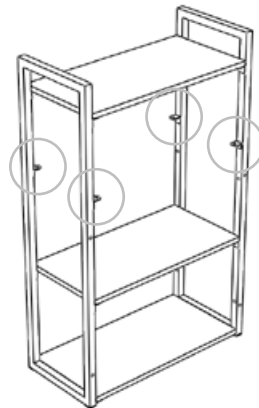
Using the Allan key and bolts supplied, align the leg's mount holes to the work top and fasten.

**Once fastened, leave this assembly for the moment.  
4 bolts Required.**

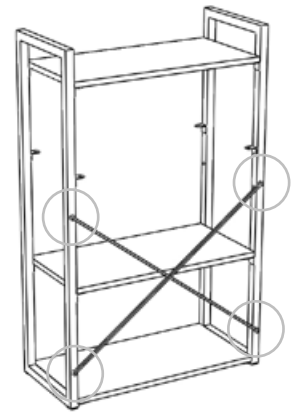


Construct the bookshelf unit by fastening the shelves to the frame as indicated. Start with the top shelf working towards the bottom shelf.

**Tip: Laying the unit on the floor could make assembly easier.  
4 bolts per shelf.**

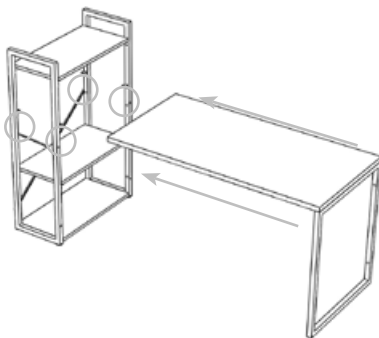


Your assembly should match this image. Do not attach a shelf to the mounting points indicated.



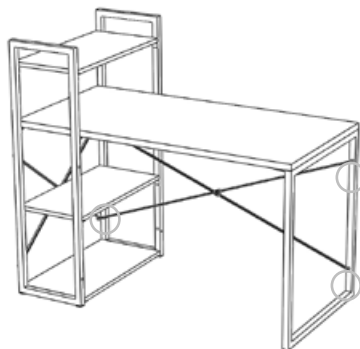
Attach the small cross-braces to the pre-drilled mounting points on the bookshelf frame using the bolts supplied.

**Do not over tighten the bolts.  
4 bolts required.**



With the bookshelf now freestanding, slide the desktop-and-leg assembly onto the remaining mount points on the bookshelf section. Fasten the work top to the bookshelf using the bolts supplied.

**4 bolts required.**



Before attaching the remaining cross braces, decide if you would like to use the desk in a right-hand side or left-hand side orientation. The cross braces need to be attached furthest from the user; they add additional stability to the desk.

**4 bolts required.**

All tools required to assemble the desk have been provided.