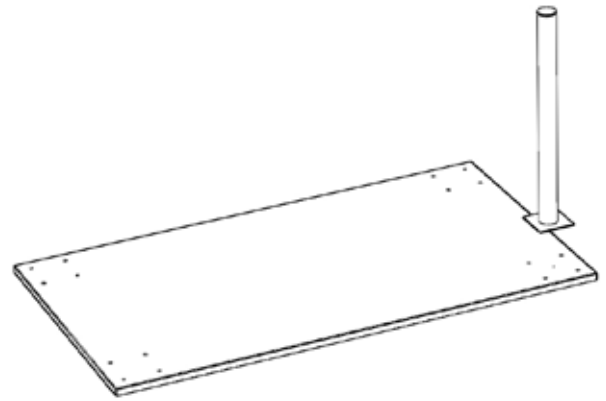
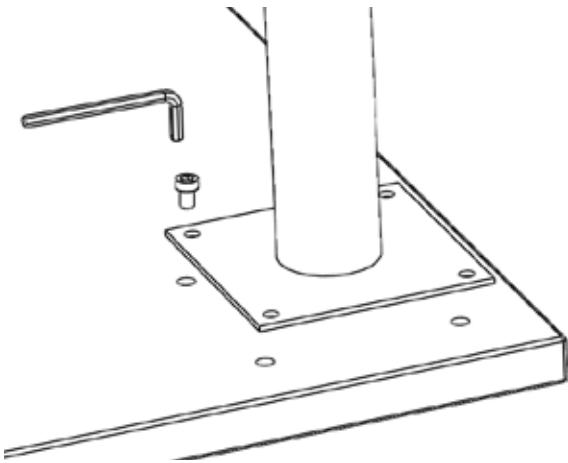




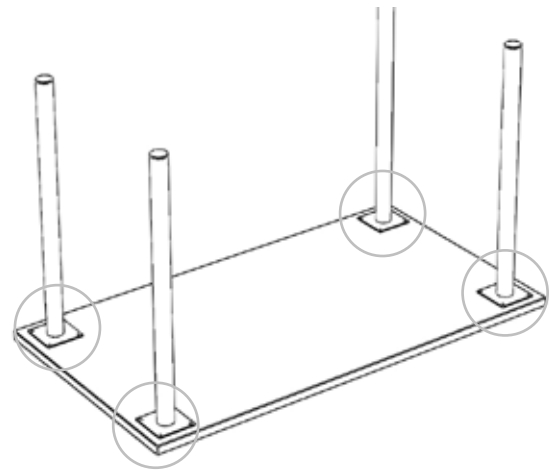
SYMMETRY HOME DESK ASSEMBLY GUIDE



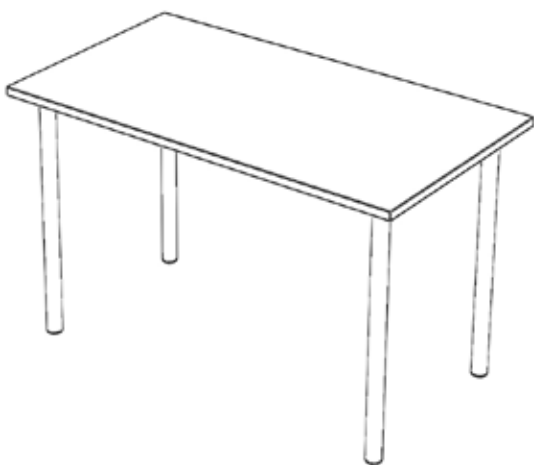
Remove product from packaging. Lay top face down on a clean surface. Align the holes in the leg's mount plate to the holes in the work top.



Using the fasteners supplied, attach the legs to the corresponding holes in the underside of the work top.



Attach all 4 legs securely to the work top.
Do not over tighten the bolts.
4 bolts per leg.



Turn the desk over onto its legs.
Please dispose of the packaging responsibly.

All tools required to assemble the desk have been provided.