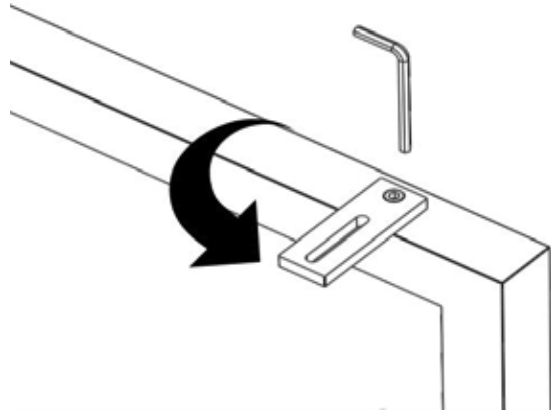
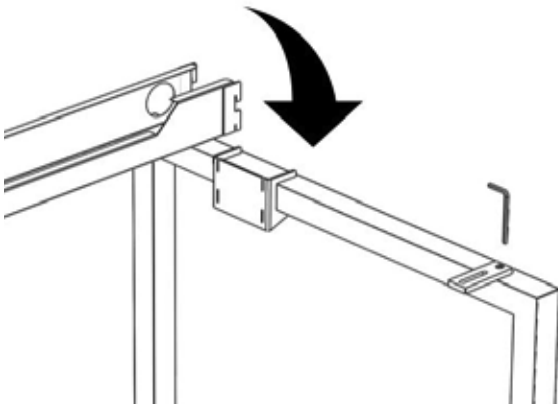




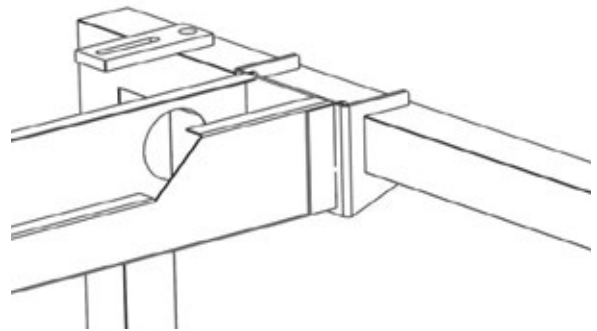
## FLEXILINE HOME DESK ASSEMBLY GUIDE



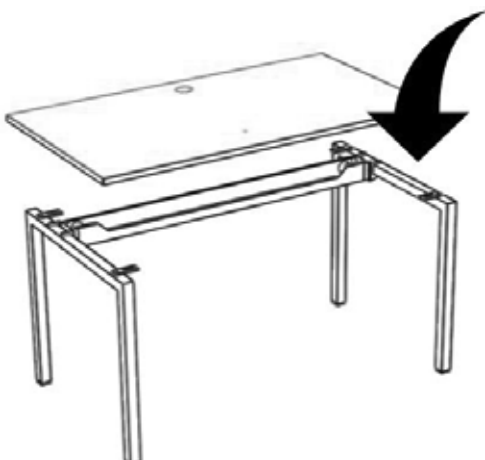
Remove product from packaging. Lay top face down on a clean surface. Twist small wings as per image and tighten using Allen Key supplied.



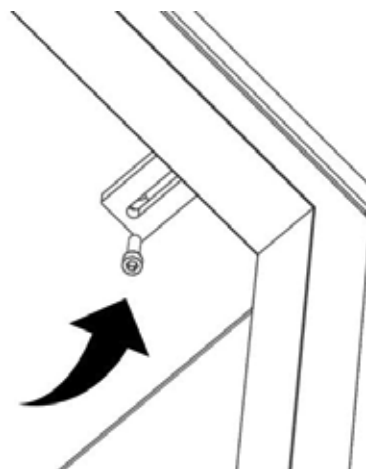
Locate Beam into the leg structure, using a mallet, (not supplied) nudge beam into bracket slots as indicated.



Beam needs to sit flush and tight in the leg bracket. **This is a tight fit, gentle hammering is required.**



Locate top onto the frame assembly.



View from underneath: Locate bolts supplied into threaded inserts on the top and tighten securely.